

ActivPanel Mobile Stand

Manual height-adjustable mobile stand by BalanceBox®

INTERACTIVE FLAT PANEL STAND OPTION



MANUAL HEIGHT-ADJUSTABLE MOBILE STAND SPECIFICATIONS

Compatible with all sizes of ActivPanel 10 and ActivPanel LX panels.

PHYSICAL SPECIFICATIONS

Product Dimensions	1772 x 1193 x 838 mm (69.8 x 47 x 33 in)
Packed Dimensions	Box 1 of 2: 1790 x 645 x 145 mm (70.5 x 25.4 x 5.7 in) Box 2 of 2: 620 x 670 x 95 mm (24.4 x 26.4 x 3.7 in)
Net Weight	60.8 kg (134 lb)
Packed Weight	Box 1 of 2: 44.5 kg (98.1 lb) Box 2 of 2: 23.9 kg (52.7 lb)
Travel Distance	400 mm (15.8 in)

PACKED CONTENTS

What's in the Box	Box 1 of 2: Mobile base, User guide, Fitting kit Box 2 of 2: BB400, User guide, Fitting kit
-------------------	--

ADDITIONAL REQUIREMENTS

Requires the Promethean VESA mount (AP-WALLMNT or AP-WALLMNT-2)

WARRANTY

Five-year warranty. For more information, visit [PrometheanWorld.com/ActivCare](https://www.prometheanworld.com/ActivCare).

COMPLIANCE & CERTIFICATION

UL Recognized 62368-1, CE, CB

INSTALLATION

The installation of this product should be completed by a qualified installer. Use of components not supplied by Promethean or not meeting minimum specifications may impact performance, safety and warranty. For more information, visit [Support.PrometheanWorld.com](https://www.prometheanworld.com/Support).

SUPPORT

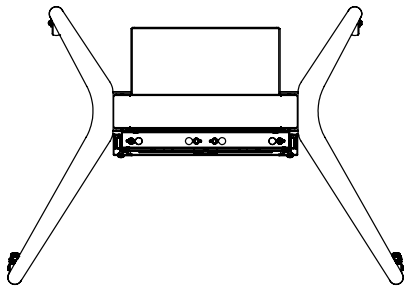
For all Promethean products, visit [Support.PrometheanWorld.com](https://www.prometheanworld.com/Support).

ActivPanel Mobile Stand

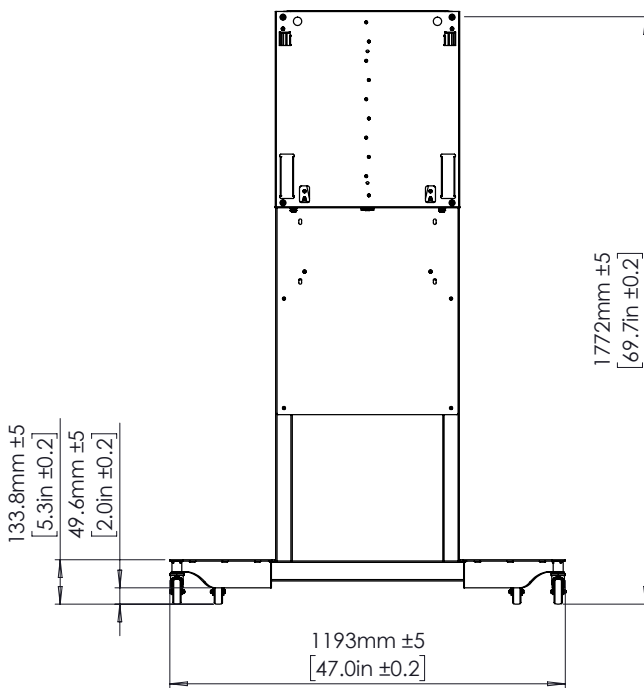
Manual height-adjustable mobile stand by BalanceBox®

TECHNICAL DRAWINGS

Top



Front



Side

